

# FTB584-C

CAPSULE CARTONING MACHINE



# FTB584-C CAPSULE CARTONING MACHINE



IMA occupies a leading position in the global market for the design and manufacture of single serve capsule filling and sealing machines for coffee, tea and soluble beverages.

Since the time IMA entered the demanding market for high-quality single serve capsules, our customers have been able to consistently benefit from extremely innovative technical solutions, utmost flexibility and reliability.

The **FTB584-C** machine completes the range of **cartoning machines** and is designed to run in line with the filling machines. The FTB584-C can handle American and Espresso coffee capsules, tea and soluble beverages in general.

Furthermore, the experience we have in conceiving specially tailored solutions makes IMA the ideal strategic partner for industry leaders who constantly strive to satisfy new market trends.





5



6

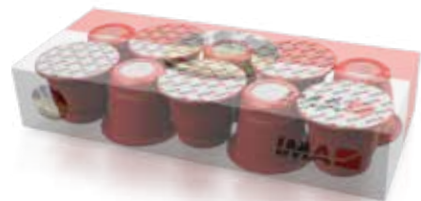
1. Capsule feeding system
2. Capsule overturning system
3. Carton flat blank feeding system
4. Carton forming system
5. Pick and place for capsule insertion in box
6. Frontal flap closing system

## MAIN FEATURES

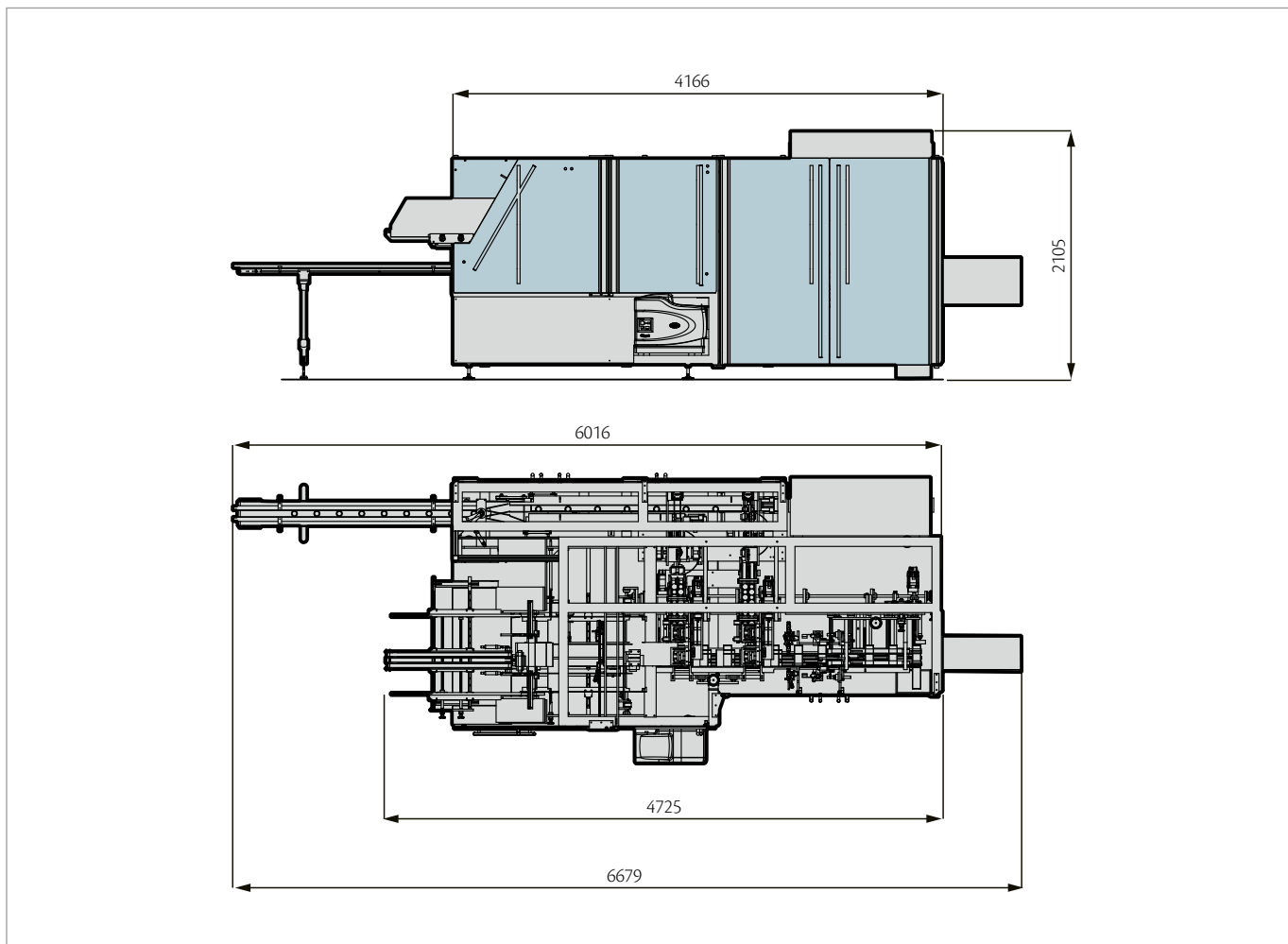
As a turnkey solution, in line with the 590 capsule filler, the FTB584-C offers countless plus points: compact footprint, user-friendly operator interface, high blanks capacity, quick size changeover and requires minimal maintenance.

With fully servo-driven movement, the FTB584-C ensures excellent production efficiency and extreme flexibility regarding the product layer configuration.

A key feature regards the minimal use of void space, enabling highly compact packaging solutions to save space and cut costs.



# TECHNICAL DATA



FTB584-C TECHNICAL DATA		MIN.	MAX.
Production range	L	90	200
	W	60	110
	H	30	190
Production	over 25 ppm		
Average power consumption	10 kW		
Operating pressure	6 bar		
Maximum air consumption	200 NI/min		
Weight	3000 kg		

